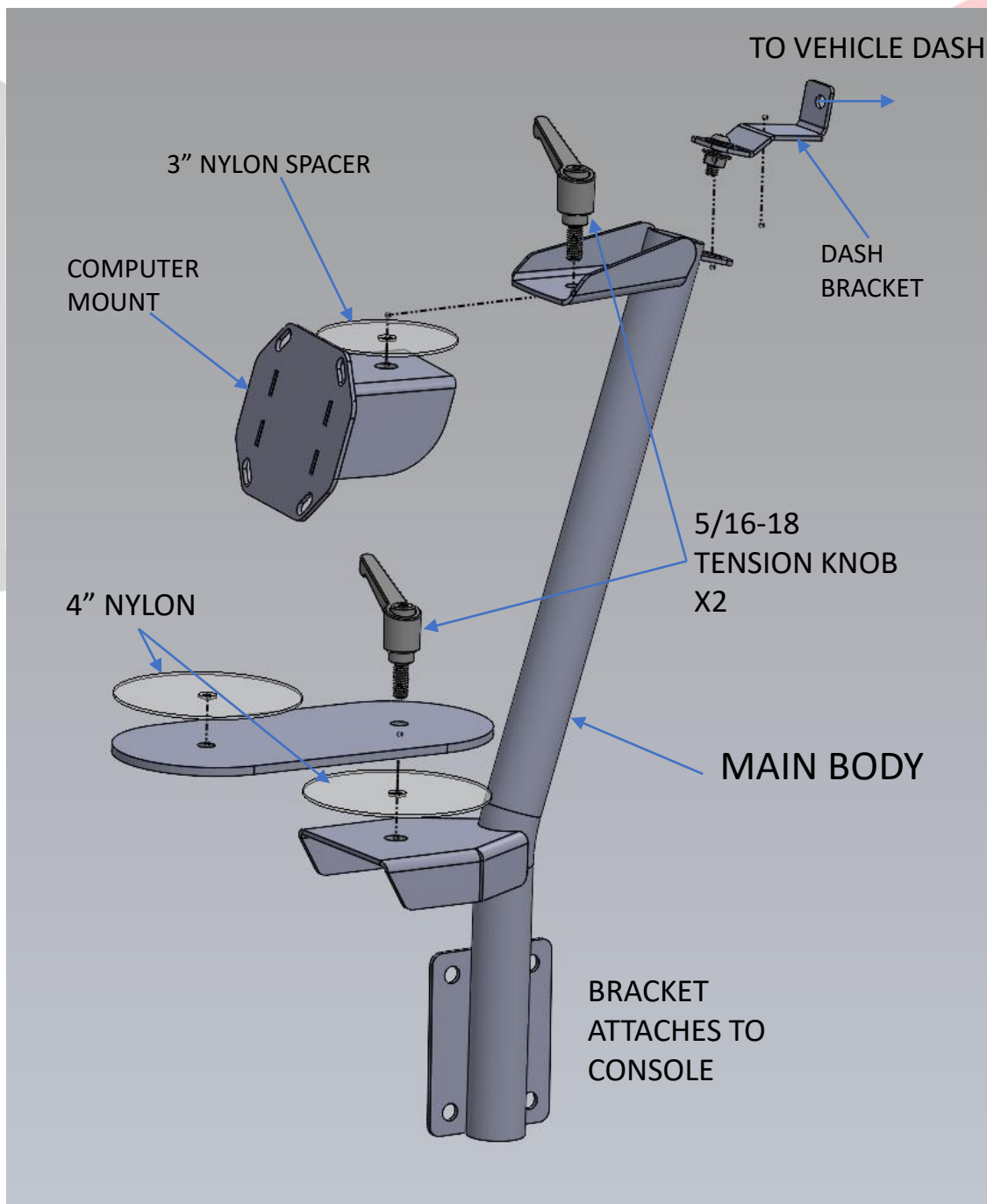


INNOVATIVE

EMERGENCY EQUIPMENT

INV-ACC-SVL-DUR

INSTALLATION INSTRUCTIONS

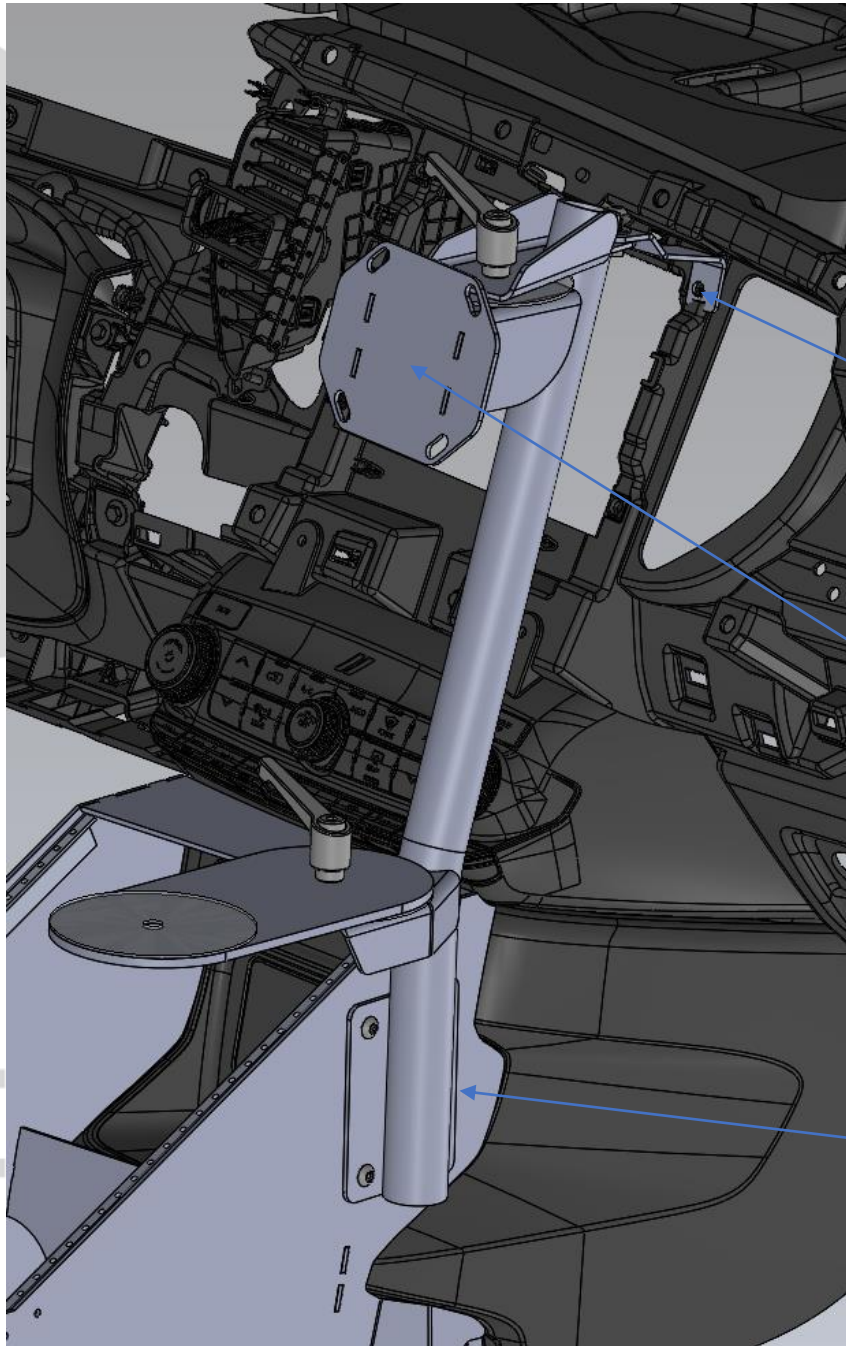


ASSEMBLY OF SWIVEL SCREEN

NYLON WASHERS INCLUDED TO PREVENT BINDING OF POWDERCOATED PARTS

HARDWARE BAG TO INCLUDE:

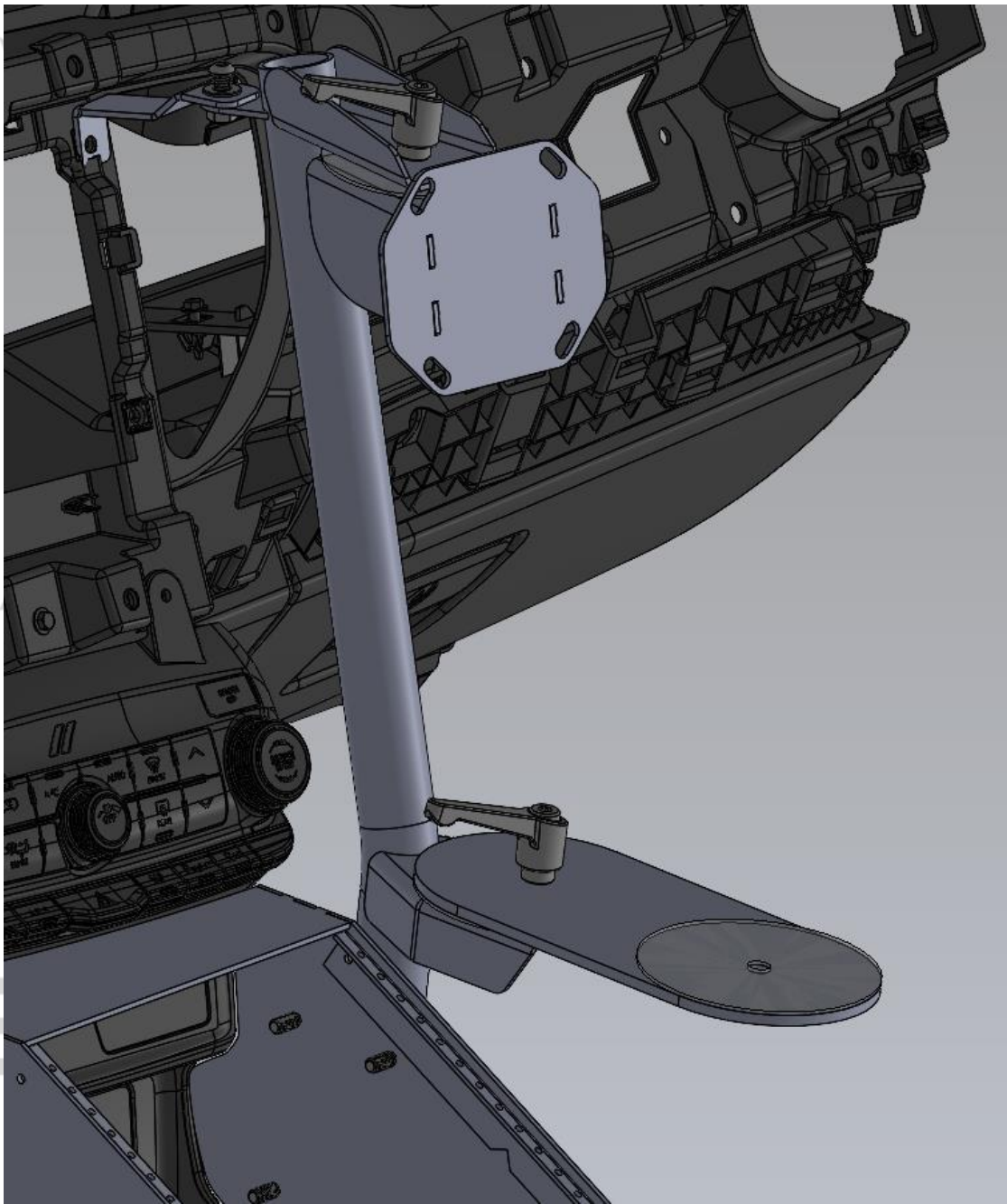
- 1X MAIN BODY
- 1X DASH BRACKET
- 1X TABLET MOUNT
- 1X PIVOT ARM
- 2X 5/16-18 TENSION KNOBS
- 5X 1/4-20 BHCS
- 6X 1/4" WASHERS
- 1X 1/4-20 KEP NUTS
- 2X 4" NYLON SPACERS
- 1X 3" NYLON SPACER

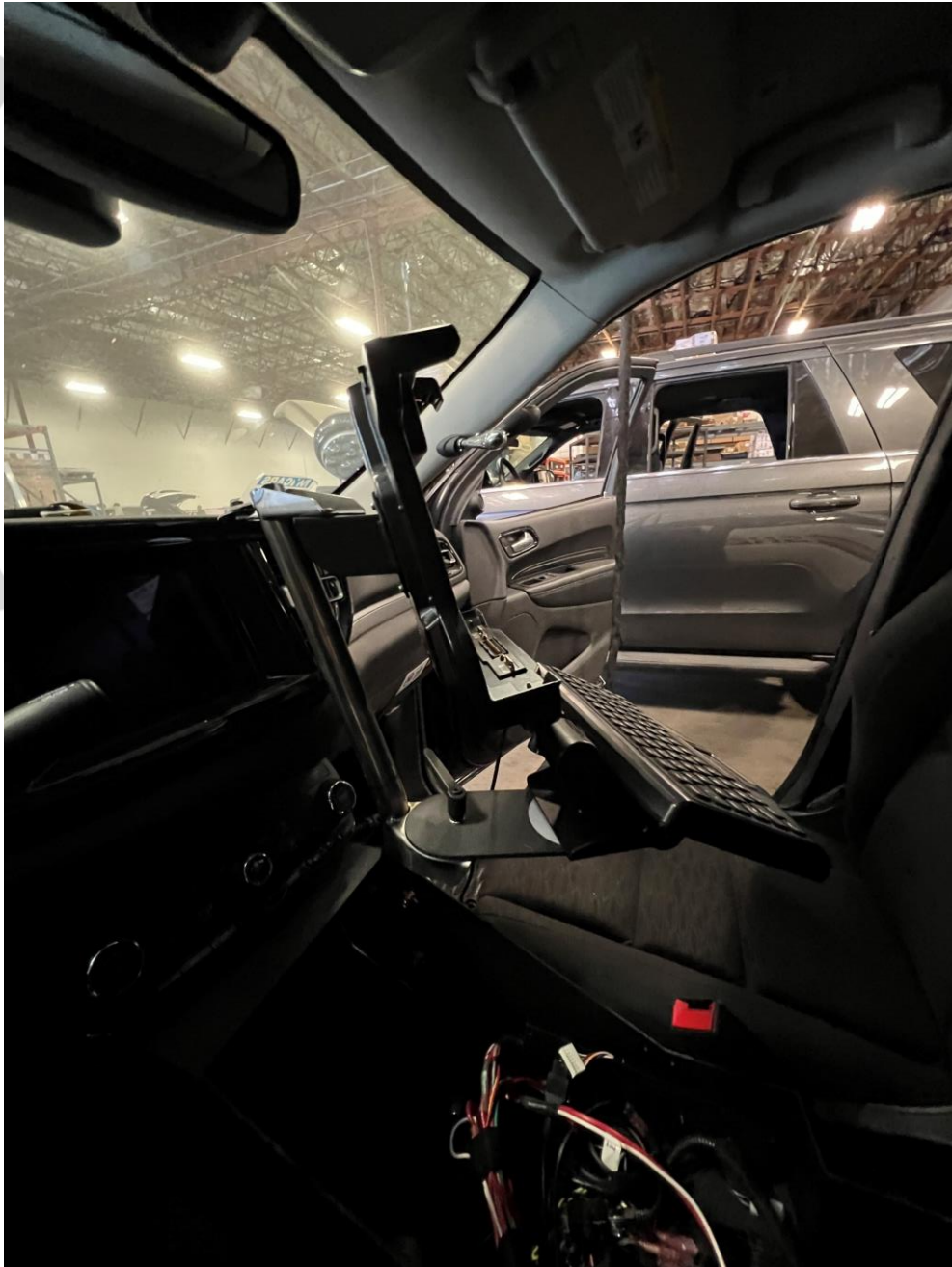


DASH BRACKET TO ATTACH UNDERNEATH CONSOLE TRIM. SURROUND MAY NEED TO BE TRIMED FOR BRACKET.

TABLET DOCK TO MOUNT TO UNIVERSAL COMPUTER MOUNT. USES STANDARD DOCK MOUNTING PATTERN.

BRACKET TO ATTACH TO CENTER CONSOLE USING 4X ¼-20 BHCS W/WASHERS.





Y

NT